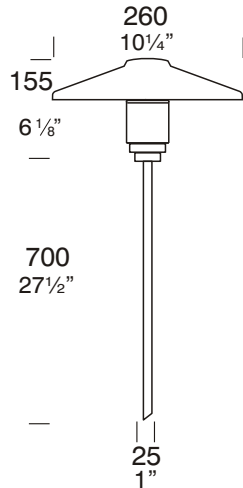


Tier Lite

Cat. No. TL

Cat. No. TLfl

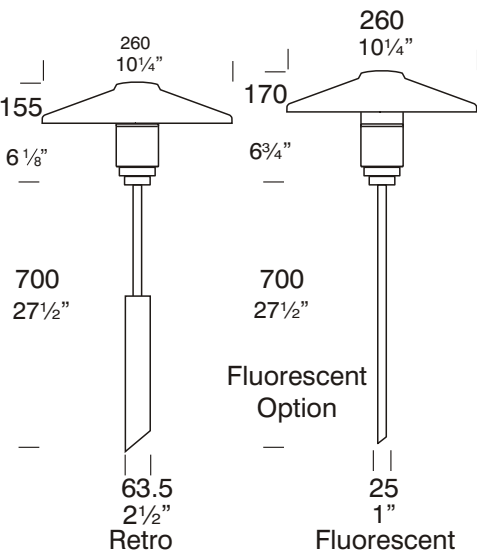
Cat. No. TL/R



The Tier Lite is suited to medium level foliage. It is mounted atop a 700mm pole. Light is emitted on a horizontal plane around 360 degrees via a 5, 10 or 20 watt halogen lamp and does not project any vertical light.

The Retro™, which is a mains option, avoids the need to bury a transformer. The 240/12 volt electronic transformer is built into the pole and is a double insulated safety isolating transformer this changes the luminaire to an IP56 rating.

A 240 volt fluorescent option is available which offers excellent light output, low energy usage and very low heat generation.



Ordering Information

Luminaire Type

TL - Tier Lite

Material/Finish

BK - Black
 BZ - Bronze
 GN - Green
 WH - White
 MS - Metallic Silver

Accessories

CJK150 - Cable Joint Kit
 FL - Fluorescent Option
 SS/G - Hunza® Super Spike (not for Retro™)
 /R - Retro™ Transformer 240/12 volt

COP - Copper

Ordering Example TL COP - Tier Lite in Copper

TLfl MS - Tier Lite in Metallic Silver with Fluorescent Option

SSP/G - Hunza® Super Spike
 (Accessories ordered separately)



Patent Pending



FACTORY: Ph. 64-9-570 2484 Fax. 64-9-570 1254. 31 Thomas Peacock Place, Auckland, New Zealand

USA: Ph. 310 560 7310 Fax. 1 877 692 4589.

3237 Long Island St, W. Sacramento, California 95691

hunza@hunza.co.nz www.hunza.co.nz

Manufactured in New Zealand

Specifications may change without notice.

© 2002 Hunza Holdings Ltd

Luminaire Construction

CNC machined from one of the following metals:

High corrosion resistant 63.5mm (2½") x 10mm (25/64") aluminium.
End cap - solid aluminium 63.5mm (2½") rod, with chromate substrate and high UV resistant polyester powder coat -

Colours Black, Bronze, Green, Metallic Silver, White.

Copper 63.5mm (2½") x 10mm (13/32"). End cap - solid copper 63.5mm (2½") rod.

Retro™:

Pole - 25.4mm (1") x 410mm (16") tube.

Transformer Pole 63.5mm (2½") x 440mm (17½").

Hood

260mm (10¼") x 1.2mm (1/16") hand spun aluminium or copper.

Mounting

Pole 700mm (27½") directly mounted into the earth or for extra stability in sand or loose ground use a Hunza® Super Spike. Retro™ set in concrete.

Features

Lens:

UV stable acrylic.

Anti Glare Hood:

Diameter 260mm (10¼"). No upward light or glare projected.

Gaskets:

Silicone, iron impregnated 220°C (428°F).

Lamp Holders:

G4 - 350°C (662°F) ceramic multi contact lamp holder with 250°C (480°F) teflon cables.

Fluorescent

E27 PET 210°C (410°F) base mount.

Accessories:

Cable Joint Kit (Cat. CJK150)
Not approved for USA /Canada.

Hunza® Super Spike, not for Retro™ option (Cat. SSP/G).

Fluorescent Option 5 watt 240 volt (Cat. FL).

Retro™ transformer 240/12 volt (Cat. /R) IP56.

Standards

IP56 / IP66



UL1838

Luminaire Weight

12 volt Alum .915kg (2lb)
Cop 1.590kg (5lb 11oz)
Retro™ Alum 2.00kg (4lb 6oz)
Cop 3.00kg (6lb 9oz)

Power Supply

HUNZA® Inground or Wall Mount
Transformer: not included.

RETRO™ IP56

HUNZA® 240/12 volt ac silicone encapsulated electronic transformer is built into the pole. Dimmable with a suitable leading edge dimmer.

USA and Canada:

HUNZA® Wall Mount Transformer: not included.

Luminaire: supplied with

GU4 Bi-Pin 5, 10, 20 watt lamp max.

Retro™ GU4 Bi-Pin 10, 20 watt lamp max.

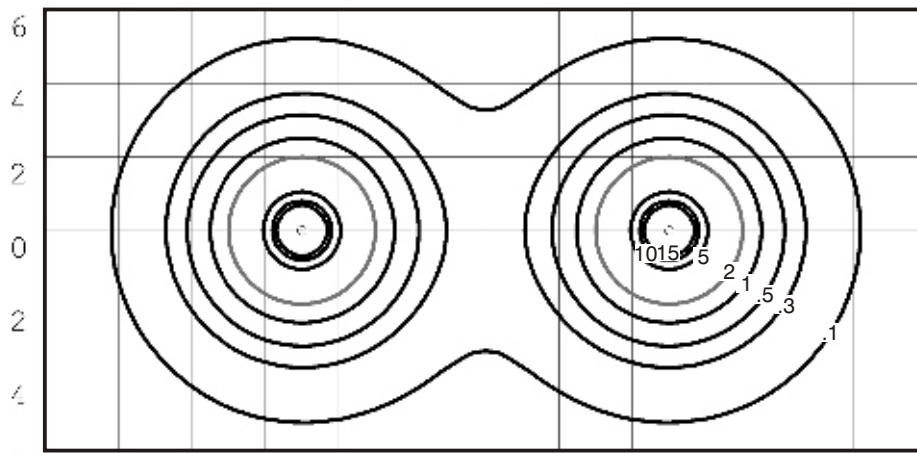
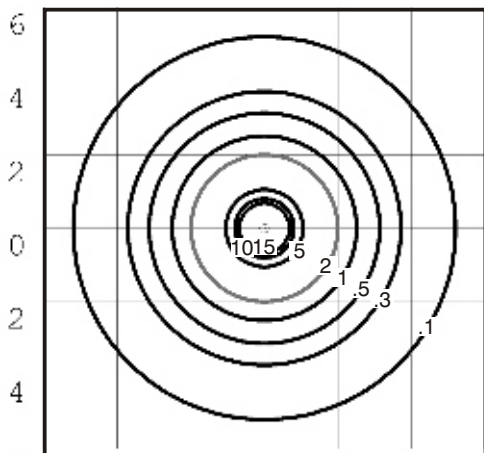
Fluorescent

E27 - 240 volt 5 watt self ballasted lamp.

USA and Canada:

GU4 Bi-Pin 5, 10, 20 watt lamp max.

Tier Lite GU4 20 watt Bi-Pin lamp - Lens height 650mm (25½")



Isolux Lumens Plot - Footcandles = Isolux figures divided by 10.76



FACTORY: Ph. 64-9-570 2484 Fax. 64-9-570 1254. 31 Thomas Peacock Place, Auckland, New Zealand
USA: Ph. 310 560 7310 Fax. 1 877 692 4589. 3237 Long Island St, W. Sacramento, California 95691
hunza@hunza.co.nz www.hunza.co.nz
Manufactured in New Zealand
© 2002 Hunza Holdings Ltd